

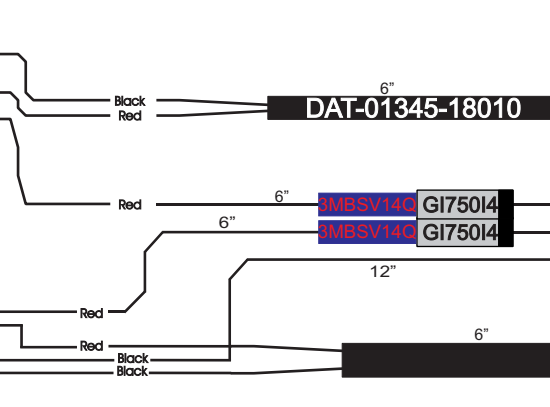
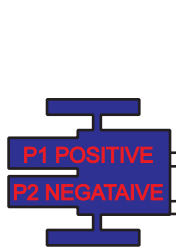
R. C. Tronics Incorporated

2573 East Kercher Road
 Goshen, Indiana 46528
 Toll Free 1-866-457-7790

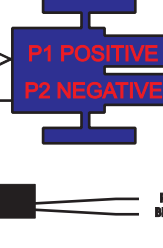
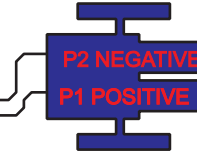
Phone 1-574-642-3857
 Fax 1-574-642-3858
<http://www.rctronics.com>

DAT-01345-18010 02 Conductor Data Cable

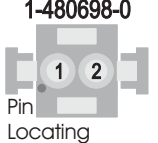
Mate-N-Loc Connector, Flat Face Down
 2 Pin Part Number 1-480698-0
 Tyco Pin Number 350570-1



Mate-N-Loc Connector, Flat Face Down
 2 Pin Part Number 1-480698-0
 Tyco Pin Number 350570-1



Mate-N-Loc Connector, Flat Face Down
 2 Pin Part Number 1-480698-0
 Tyco Pin Number 350570-1



Belden Part Number B-8442

Carol , 22 AWG, Stranded, shielded two conductor cable.

Cut each jacket end 4 inches long, remove jacket on each end.

Mate-N-Loc Connector 1-480698-0 Flat face down and insert pins as shown.
 Assemble as shown above.

1st Three Letters	=	Data Cable	=	DAT
2nd Five Numbers	=	Print Number	=	00000
3rd Two Numbers	=	Configuration	=	00
4th Two Numbers	=	Length in Feet	=	00
5th Last Digit	=	Length in Inches	=	0