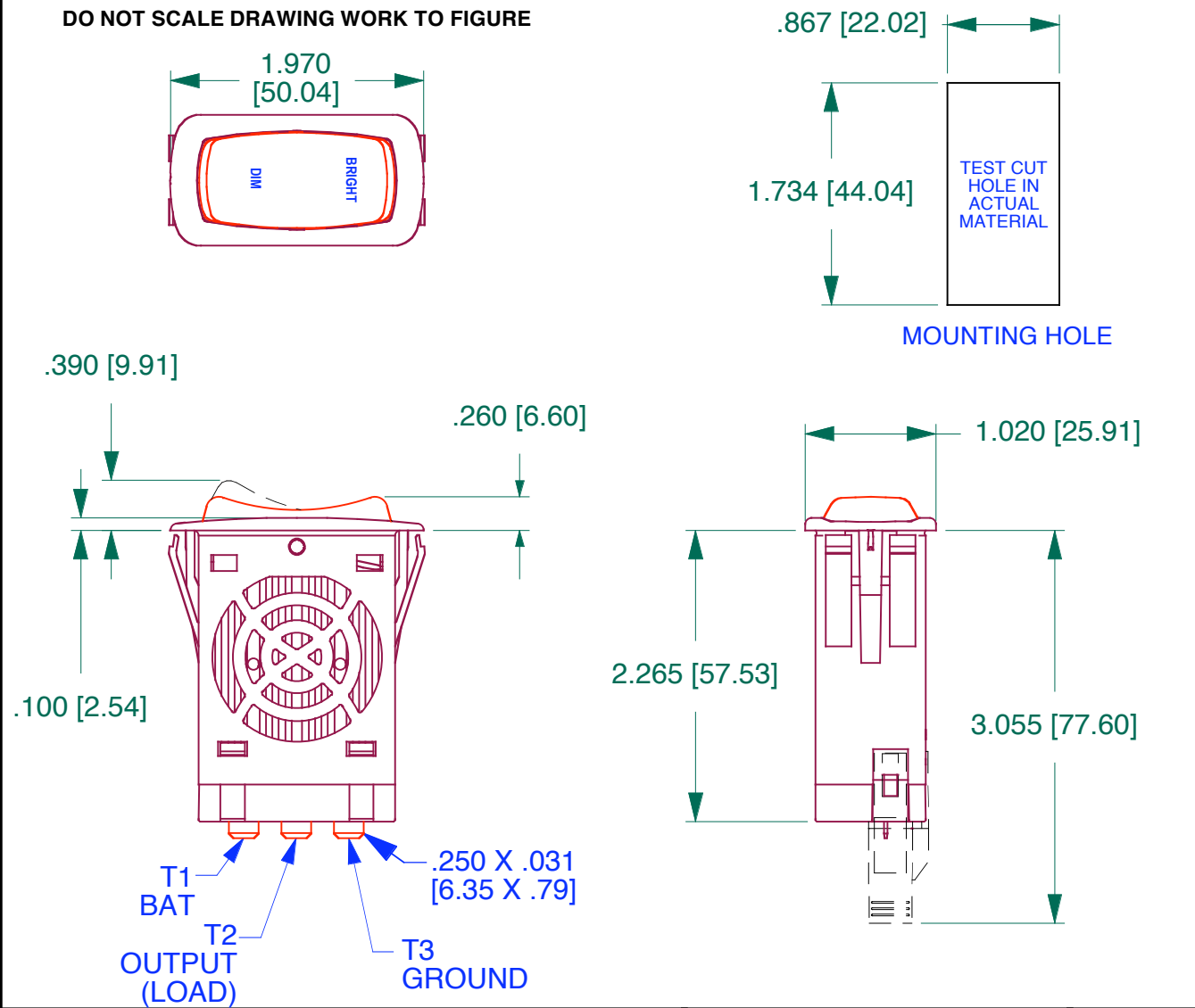


DO NOT SCALE DRAWING WORK TO FIGURE



DWG NO. LD3A1HH1-3AAFE-1FC		REV. —
LET	REVISIONS	DATE

RATING:
10 AMP 14VDC
(1 RELAY)

NOTES:
1- GREEN 12V LEDS
2- 0-100% DIMMING

DIMENSIONS SUBJECT TO CHANGE WITHOUT NOTICE		FINISH —					
PROPRIETARY NOTE: NOTICE TO ALL PERSONS RECEIVING THIS DRAWING. THIS DOCUMENT IS THE PROPERTY OF CARLING TECHNOLOGIES, INC. AND IS NOT TO BE DISCLOSED, REPRODUCED IN WHOLE OR IN PART OR USED FOR MANUFACTURING PURPOSES BY ANYONE WITHOUT THE CONSENT OF CARLING TECHNOLOGIES, INC.	UNSPECIFIED TOLERANCES		TOOL NO.	REV	TITLE		
	FRAC. ±1/64 X.XXX ±.015 ANGLES ±1°		DR BY D PAULUS	DATE 8-9-05	L-SERIES DIMMER SWITCH		
	PROJECTIONS	DIMENSIONS IN [mm]	CHK BY P KOERNER	DATE 8-11-05	SIZE A	DWG NO. LD3A1HH1-3AAFE-1FC	REV. —
			APPD BY D.D.	DATE 8-11-05	USED ON —	SCALE: NONE	SHT 1