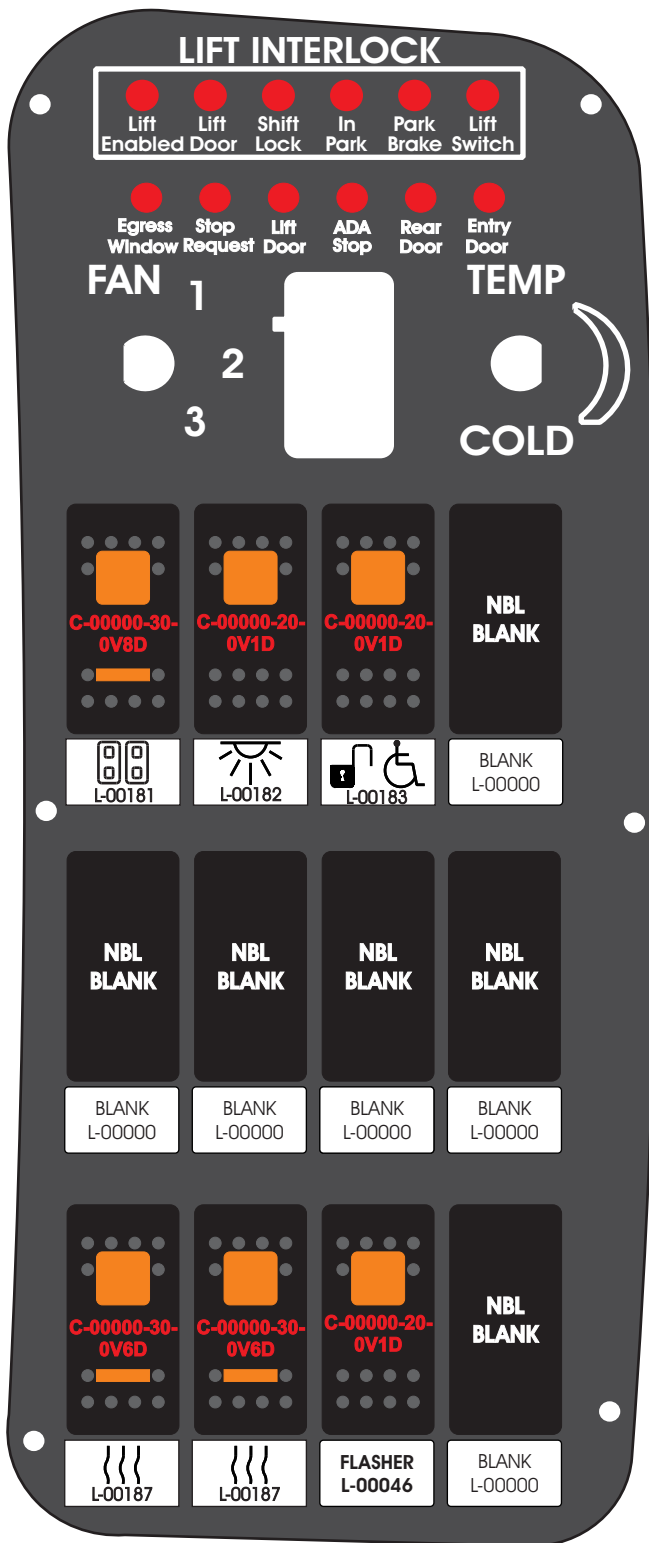


R. C. Tronics Incorporated

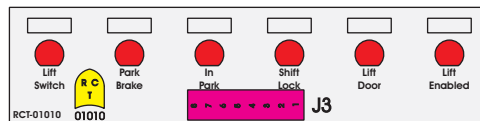
2573 East Kercher Road
Goshen, Indiana 46528
Toll Free 1-866-457-7790

Phone 1-574-642-3857
Fax 1-574-642-3858
<http://www.rctronics.com>

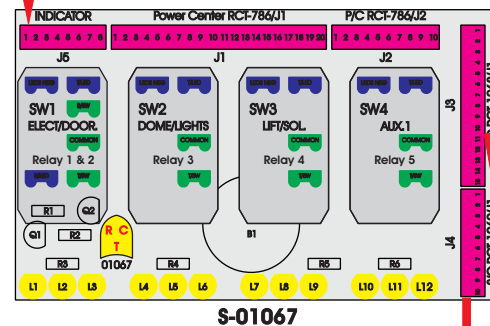
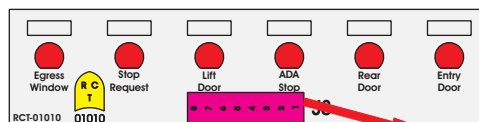
RCT-01251-0__07, 4/A, 4/B,5B & Master Switch, GMT-560



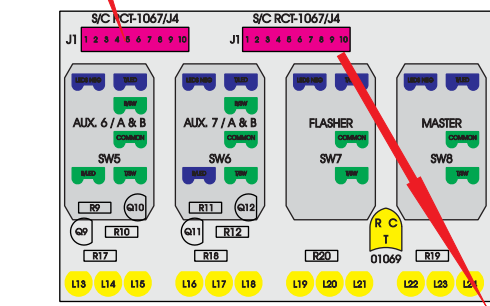
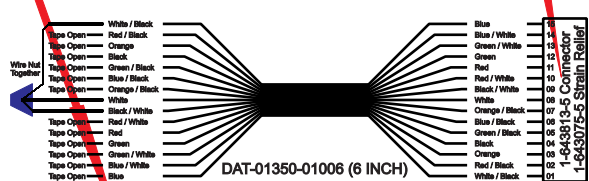
FAC-01251-00001



Connects to J3 of BPC
RCT-00786 or RCT-01414.
Order Separately
DAT-01348-00XX0



- Battery Negative
- Clearance Light Power (+12 VDC)
- Ignition (+12 VDC)
- Aux. 2/A Switch (Sink)
- Aux. 2/B Switch (Sink)
- Aux. 3/A Switch (Sink)
- Aux. 3/B Switch (Sink)
- Aux. 4/A Switch (Sink)
- Aux. 4/B Switch (Sink)
- Aux. 5/A Switch (Sink)
- Aux. 5/B Switch (Sink)
- Open
- Open
- Open
- Ignition (+12 VDC)
- Clearance Light Power
- Battery Negative
- Aux. 7/B Switch (Sink)
- Aux. 7/A Switch (Sink)
- Aux. 6/B Switch (Sink)
- Aux. 6/A Switch (Sink)
- Master Switch (Sink)
- Master Switch (Sink)
- Open



Operates:
"Master Switch"