

R. C. Tronics, Incorporated

Specializing In Electronic Controls

2573 East Kercher Road
Goshen, Indiana 46528
Toll Free 1-866-457-7790

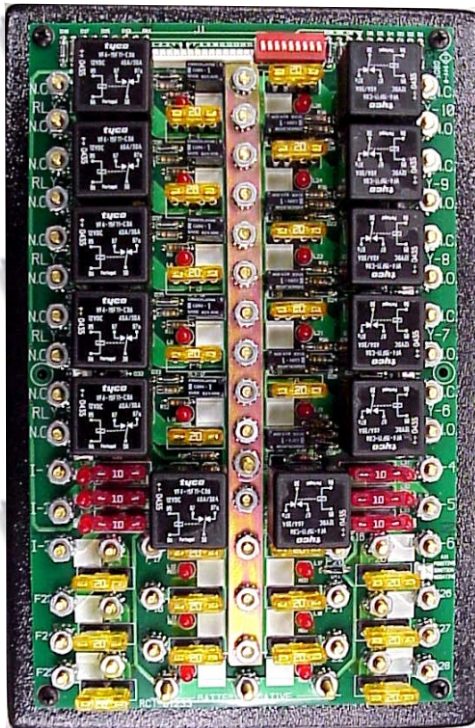
RCT-01295-00000
Speciality Vehicle Switch Center

Phone 1-574-642-3857
Fax 1-574-642-3858
www.rctronics.com



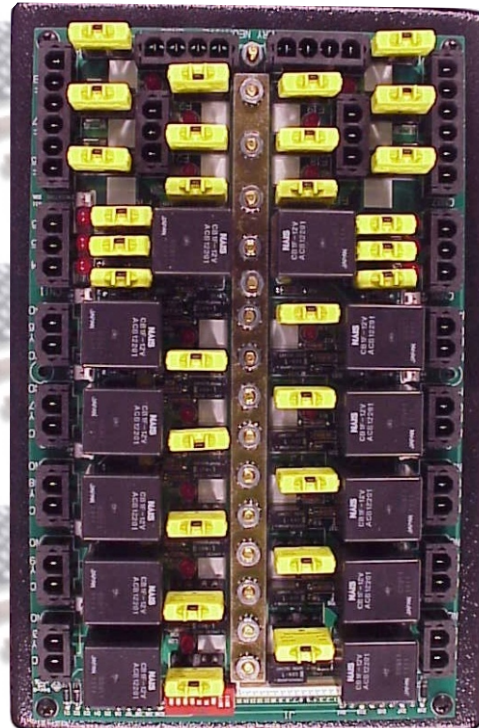
Switch Centers with ten switches have a progressive load capability which permits sequencing of loads, ie; "Rear Flash-Front Flash-Light Bar-Siren". Size: 2.85 x 7.25 inches.

ABOVE SWITCH ASSEMBLY REQUIRES RCT-01233 OR RCT-01431 POWER CENERS AND DATA CABLES DAT-01350 AND DAT-01346 TO COMPLETE SYSTEM.



DAT-01346-01006

RCT-01233-00000
Power Center, Size 7x10.25 inch



RCT-01431-00000
Power Center, Size 7x10.25 inch



DAT-01350-00XX0