

R. C. Tronics Incorporated

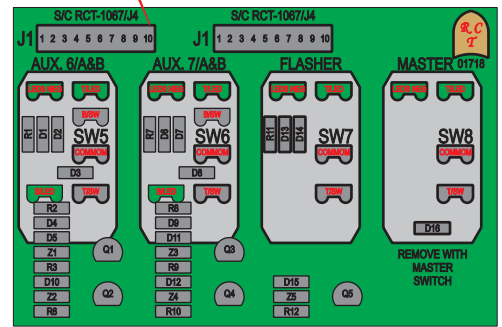
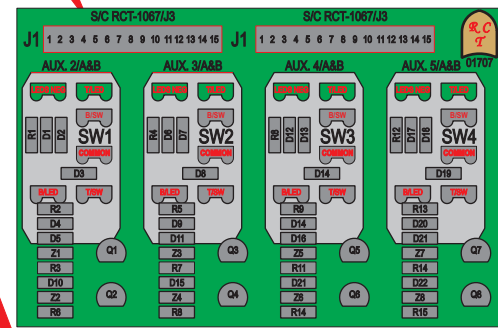
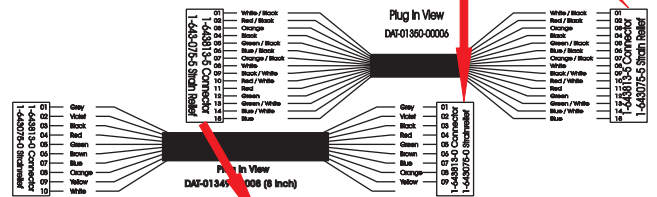
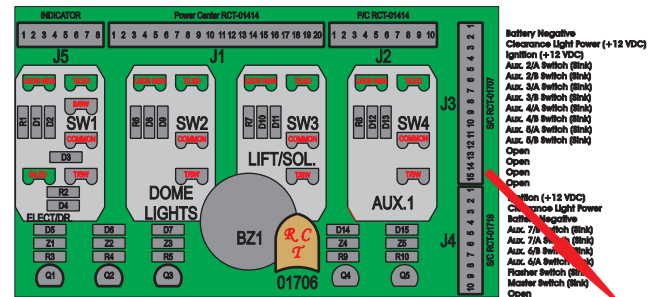
2573 East Kercher Road
Goshen, Indiana 46528
Toll Free 1-866-457-7790

Phone 1-574-642-3857
Fax 1-574-642-3858
<http://www.rctronics.com>

RCT-01665-0__02

Molly Trolley

<p>OPEN V8D11X0XB-AE800 000-XRC1 / C-00009</p>  <p>DOOR</p>  <p>CLOSE</p>	<p>ON MAINTAINED</p>  <p>INTERIOR LIGHT REAR</p> <p>V1D11X0B-AE800 -000-XRC1 / C-00080</p> <p>OFF</p>	<p>ON C-00014</p>  <p>WHEEL-CHAIR LIFT</p> <p>V1D11X0B-AE800 -000-XRC1 / C-00014</p> <p>OFF</p>	<p>ON MAINTAINED</p>  <p>CENTER LIGHT</p> <p>V1D11X0B-AE800 -000-XRC1 / C-00092</p> <p>OFF</p>
<p>ON MAINTAINED</p>  <p>SIGN</p> <p>V1D11X0B-AE800 -000-XRC1 C-00001</p> <p>OFF</p>	<p>HIGH MAINTAINED</p>  <p>FAN</p> <p>C-00197-10-V8D</p> <p>LOW</p>	<p>HIGH MAINTAINED</p>  <p>WINDOW DEFROST</p> <p>V6D11X0B-AE800 -000-XRC1</p> <p>C-00086</p> <p>LOW</p>	<p>HIGH MAINTAINED</p>  <p>DRIVER HEAT</p> <p>V6D11X0B-AE800 -000-XRC1</p> <p>C-00078</p> <p>LOW</p>
<p>ON C-00017</p>  <p>BELL</p> <p>V1D11X0B-AE800 -000-XRC1 / C-00087</p> <p>OFF</p>	<p>HIGH MAINTAINED</p>  <p>REAR HEAT</p> <p>V6D11X0B-AE800 -000-XRC1 C-00087</p> <p>LOW</p>	<p>ON MAINTAINED</p>  <p>MASTER SWITCH</p> <p>V1D11X0B-AE800 -000-XRC1 / C-00092</p> <p>OFF</p>	<p>ON MAINTAINED</p> 



FAC-01665-00000