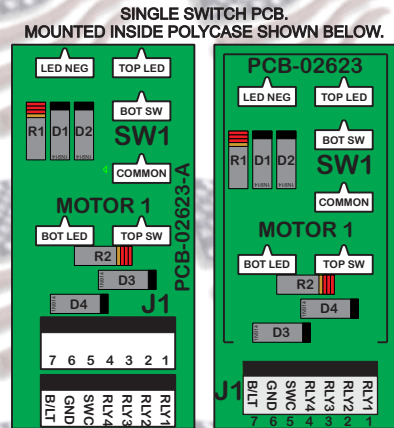
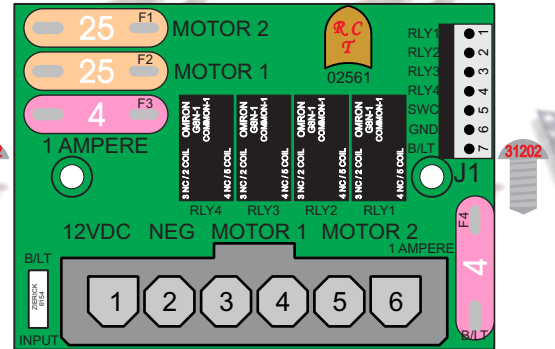
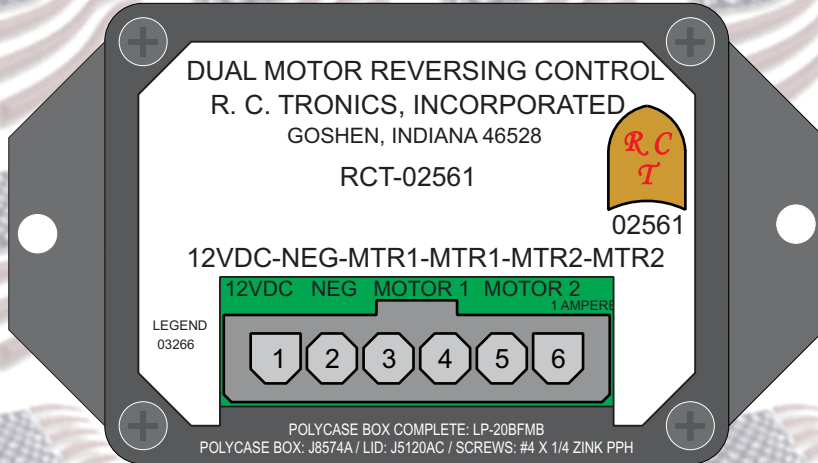


# R. C. Tronics Incorporated

2573 East Kercher Road  
Goshen, Indiana 46528  
Toll Free 1-866-457-7790

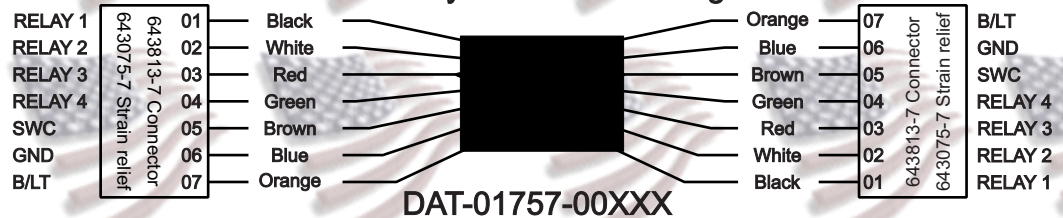
Phone: 1-574-642-3857  
Fax: 1-574-642-3858  
<http://www.rctronics.com>

## RCT-02561 & RCT-02562 DUALMOTOR REVERSING CONTROL

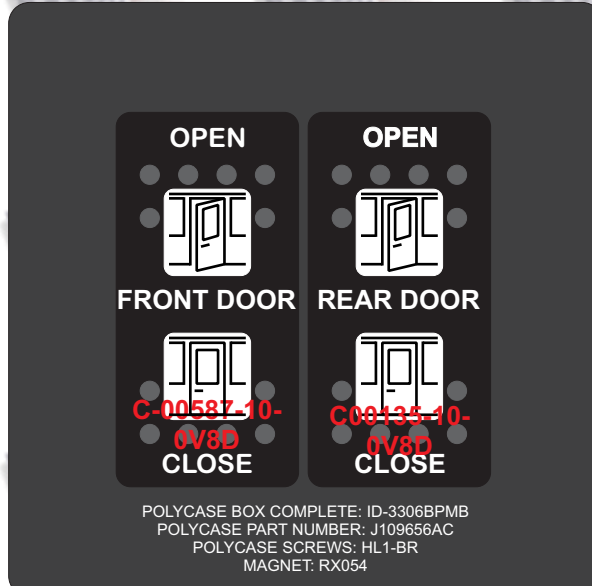
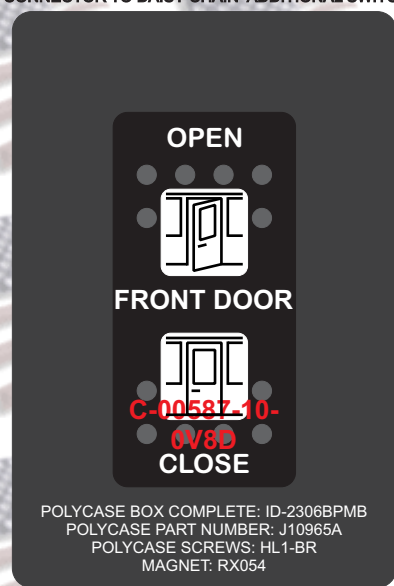


SINGLE SWITCH PCB. MOUNTED INSIDE POLYCASE SHOWN BELOW.

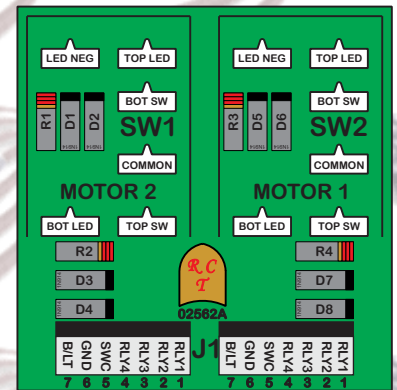
### Viewed with Tyco Connector Plug-In Face Down.



NOTE: ABOVE DATA CABLE TO BE ORDERED SEPARABLY, BY LENGTH.



DUAL SWITCH PCB. MOUNTED INSIDE POLYCASE SHOWN LEFT.



DUAL SWITCH PCB. OUTPUT TO INTERFACE WITH DUAL MOTOR REVERSING CONTROL RCT-02561 AND TO DAISY-CHAIN WITH PCB-02623 OR PCB-02623-A.

(C00587-10-0V8D / C00135-10-0V8D) SHOWN FOR REFERENCE ONLY, CHOOSE YOUR CARLING SWITCH CAP; COPY AND PASTE BELOW PATH INTO BROWSER

[http://www.rctronics.com/plate\\_builder.php?action=display\\_switches](http://www.rctronics.com/plate_builder.php?action=display_switches)