

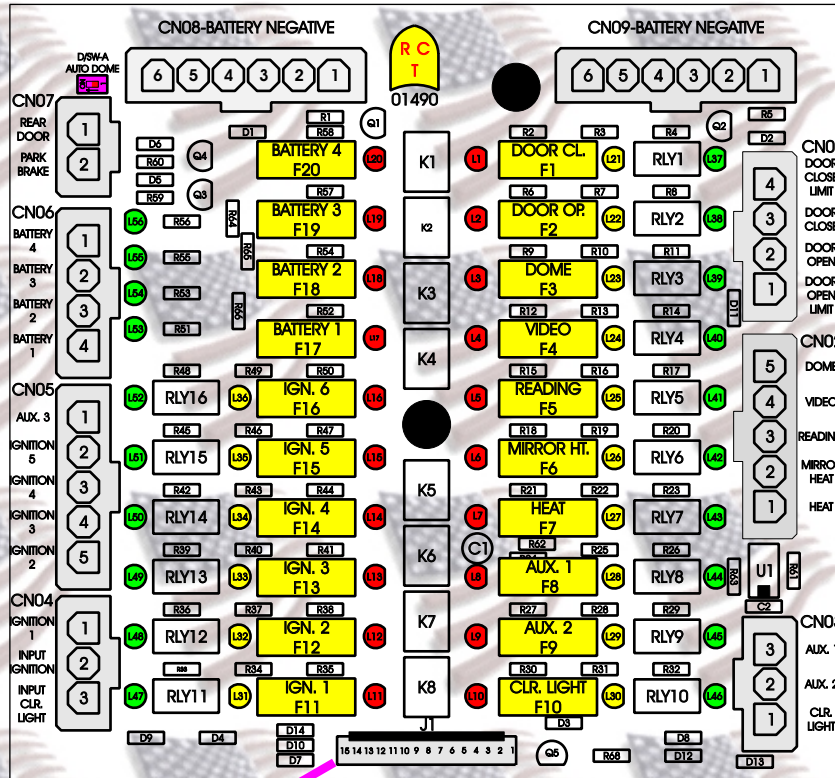


R. C. Tronics, Incorporated

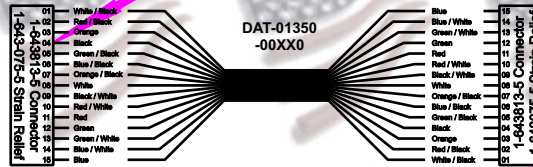
SPECIALIZING IN ELECTRONIC CONTROLS

Micro Line Series, Bus Power Center, RC5-01492, 01490, 01535 & 01010

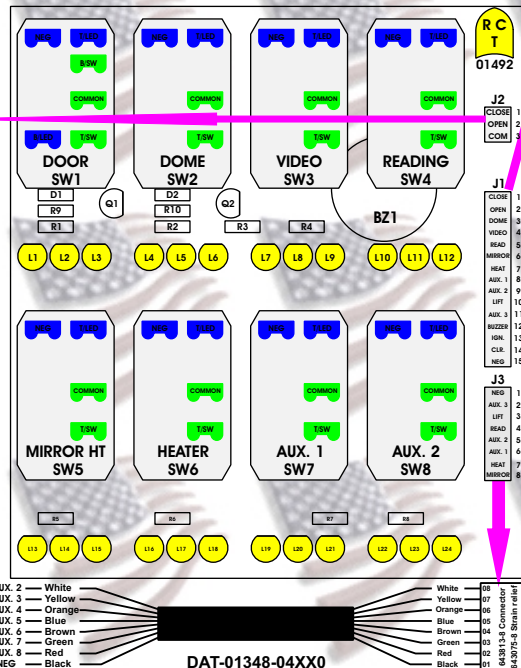
- Alarm 1 (sink)
- Alarm Inhibit (sink)
- Battery (12 VDC)
- Battery (12 VDC)
- Battery (12 VDC)
- Battery (12 VDC)
- Aux. 3 (12 VDC)
- Ignition 5 (12VDC)
- Ignition 4 (12VDC)
- Ignition 3 (12 VDC)
- Ignition 2 (12 VDC)
- Ignition 1 (12 VDC)
- OEM Ignition (source)
- OEM Clearance (source)



- Door Close Limit (sink)
- Door Close (12 VDC)
- Door Open (12 VDC)
- Door Open Limit (sink)
- Dome Lights (12 VDC)
- Video (12 VDC)
- Reading (12 VDC)
- Mirror Heat (12 VDC)
- Heat (12 VDC)
- Aux. 1 (12 VDC)
- Aux. 2 (12 VDC)
- Clearance Light (12 VDC)



COM-OPEN-CLOSE



Aux. #2 thru Aux. #8 may be operated by placing a negative to the selected aux. Signal wire.

- J2-1 Door Close External Switch (sink)
- J2-1 Door Open External Switch (sink)
- J2-3 Battery Negative
- J1-01 Door Close Switch (sink)
- J1-02 Door Open Switch (sink)
- J1-03 Dome Light Switch (sink)
- J1-04 Aux. #1 Switch (sink)
- J1-05 Aux. #2 Switch (sink)
- J1-06 Aux. #3 Switch (sink)
- J1-07 Aux. #4 Switch (sink)
- J1-08 Aux. #5 Switch (sink)
- J1-09 Aux. #6 Switch (sink)
- J1-10 Lift Switch (sink)
- J1-11 Aux. #7 Switch (sink)
- J1-12 Buzzer/Door (sink)
- J1-13 Ignition (12VDC)
- J1-14 Aux. #8 (sink)
- J1-15 Battery Negative
- J3-1 Battery Negative
- J3-2 Aux. #3 (sink)
- J3-3 Lift (sink)
- J3-4 Reading (sink)
- J3-5 Aux. #2 (sink)
- J3-6 Aux. #1 (sink)
- J3-7 Heat (sink)
- J3-8 Mirror (sink)

R. C. Tronics Can Solve Your Electrical / Electronic Control Needs.

2573 East Kercher Road Goshen, Indiana 46528 1-574-642-3857 Toll Free 1-866-457-7790

www.rctronics.com