

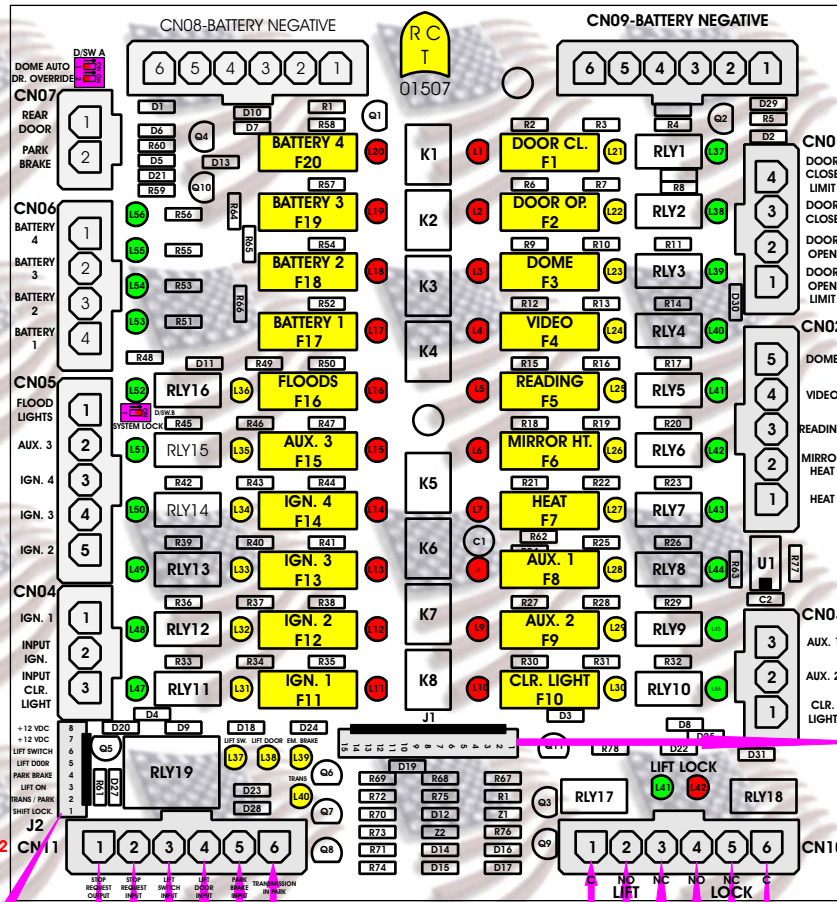


R. C. Tronics, Incorporated

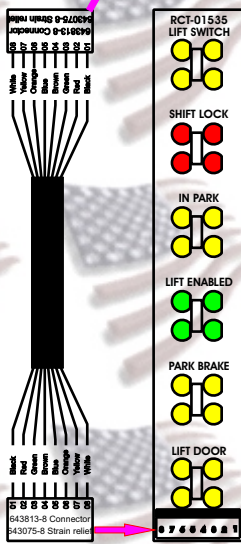
SPECIALIZING IN ELECTRONIC CONTROLS

Micro Line Series, Bus Power Center, RCT-01492, 01507, 01535 & 01010

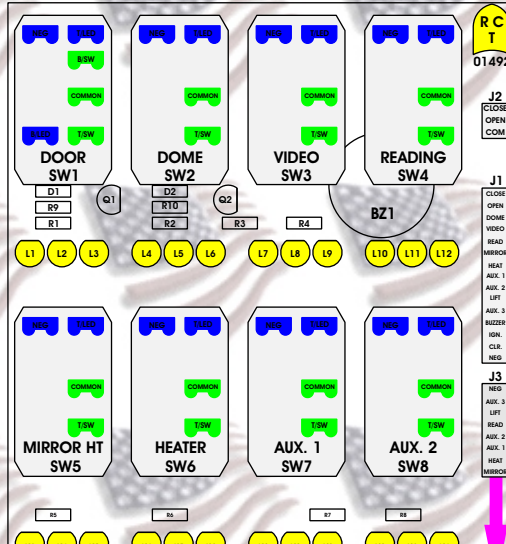
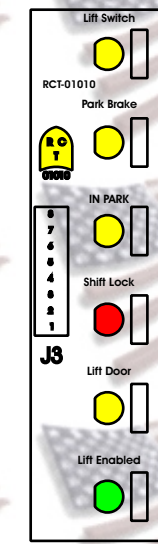
- Alarm 1 (sink)
- Alarm Inhibit (sink)
- Battery 12 VDC
- Battery 12 VDC
- Battery 12 VDC
- Battery 12 VDC
- Lift Floods 12 VDC
- Aux. #3 (12VDC)
- Ignition 4 (12VDC)
- Ignition 3 (12 VDC)
- Ignition 2 (12 VDC)
- Ignition 1 (12 VDC)
- OEM Ignition (source)
- OEM Clearance (source)
- 12 VDC J1-8
- 12 VDC J1-7
- Lift Switch On (sink) J1-6
- Lift Door Open (sink) J1-5
- Park Brake On (sink) J1-4
- Lift Output On (sink) J1-3
- Transmission / Park (sink) J1-2
- Shift Is Locked (sink) J1-1



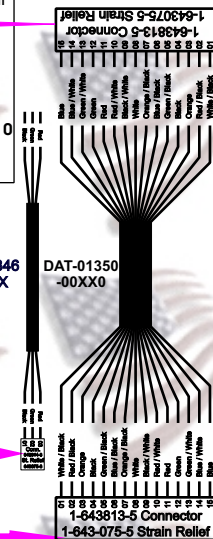
RCT-01535, ADA, FRONT MOUNT OF
 RCT-01010, ADA, REAR MOUNT



DAT-01348-XXXXX



DAT-01346 -01XXX
 DAT-01350 -00XX0



- J2-1 Door Close External Switch (sink)
- J2-2 Door Open External Switch (sink)
- J2-3 Battery Negative
- J1-01 Door Close Switch (sink)
- J1-02 Door Open Switch (sink)
- J1-03 Dome Light Switch (sink)
- J1-04 Aux. #1 Switch (sink)
- J1-05 Aux. #2 Switch (sink)
- J1-06 Aux. #3 Switch (sink)
- J1-07 Aux. #4 Switch (sink)
- J1-08 Aux. #5 Switch (sink)
- J1-09 Aux. #6 Switch (sink)
- J1-10 Lift Switch (sink)
- J1-11 Aux. #7 Switch (sink)
- J1-12 Buzzer/Door (sink)
- J1-13 Ignition (12VDC)
- J1-14 Aux. #8 (sink)
- J1-15 Battery Negative

Aux. #2 thru Aux. #8 may be operated by placing a negative to the selected aux. Signal wire.



DAT-01348-04XX0

R. C. Tronics Can Solve Your Electrical / Electronic Control Needs.

2573 East Kercher Road Goshen, Indiana 46528 1-574-642-3857 Toll Free 1-866-457-7790
 www.rctronics.com